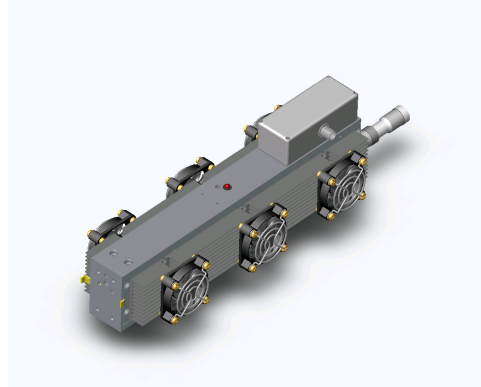


## Low Power CO<sub>2</sub> Laser

### Model L4G Specifications

Model	L4G
Wavelength (µm)	9.3 - 10.8
No. of Lines	30
CW Power (W)	200 mW
Peak Power (W)	200 mW
Power Stability	±10%
Mode Quality (M <sup>2</sup> )	< 1.2
Beam Waist Diameter	2.4 mm
Full Div. Angle	5.5 mrad
Polarization	Vertical
Supply Voltage (DC)	12V 20W
Cooling Requirement	Fan Cooled
Working Temperature	5-40° C
Dimensions (LxWxH, inch)	12.5x3x2.5



**Factory warranty:** One year for parts and labor due to manufacturing quality, regardless of laser usage

**Options available:**

- Water cooling
- External High Speed Modulator (up to 200kHz)
- 11.2 µm with <sup>13</sup>CO<sub>2</sub> isotope
- Stabilization to ±1% with Line Tracker

\* Includes DC power supply and RF driver & laser controller      \* Specifications subject to change without notice.  
 \* We strive to satisfy custom requirements. Please contact us if you have other special needs.

[www.accesslaser.com](http://www.accesslaser.com)



INVISIBLE LASER RADIATION-AVOID EYE OR SKIN  
EXPOSURE TO DIRECT OR SCATTERED RADIATION

---

**Max power: 500mW    Wavelength: 9 - 12 µm**  
 Class IIIb Laser Product