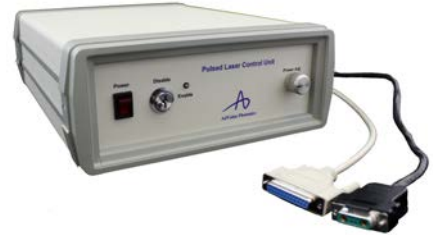


CW Laser Control Unit AP-CU-CW1

The CW Laser Control Unit provides the power supply and control signals to AdValue Photonics' CW fiber laser modules, making operating the CW fiber laser modules as turn-key systems. Users are able to control the laser modules through the user interface on the front and back panels of the Control Unit.

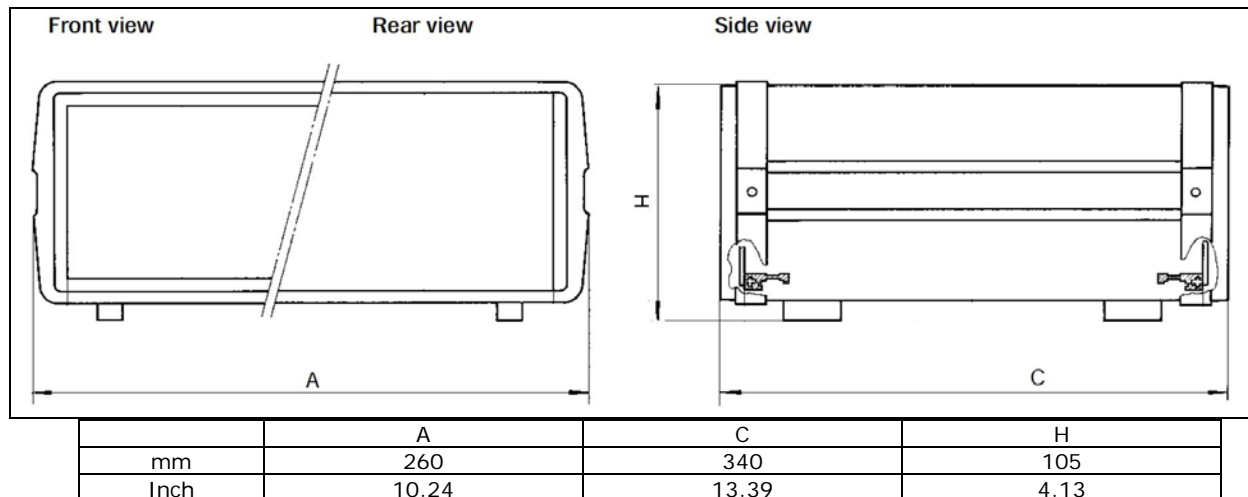


General Characteristics:

Parameter	Specification
Power requirement	AC 100~240 V (50/60Hz)
Laser Output Power ON/OFF and Modulation Control	User to provide 5V TTL signal through a BNC connector on the back panel for laser ON/OFF and output power modulation. 5V TTL signal rise edge triggering ON and fall edge triggering OFF, max. modulation frequency 500 Hz. (A function generator is recommended to provide the 5V TTL signal.)
Laser output power adjustment	10-100% max. power adjustment using a manual knob on the front panel.
Laser power setting reference	Power setting reference by voltage reading across two terminals on the back panel.

(Customization options available.)

Mechanical Outline:



Specifications subject to change without notice