

## 2 Micron CW Fiber Laser

### AP-CW

AdValue Photonics' 2 $\mu$ m fiber lasers provide many advantages over traditional bulk Ho and Tm solid state lasers with their compact size, high efficiency, low maintenance, and ease of operation.

#### Applications:

- LIDAR
- Gas sensing
- Mid-IR generation
- Spectroscopy
- Test and measurement
- Research & development



#### Features:

- Customizable operating wavelength
- Diffraction limited beam quality
- Turn-key system with no maintenance

#### Optical Characteristics:

Parameter	Specification
Operation mode	CW
Operating wavelength	1950 nm (Option: customized wavelength 1900-2100 nm)
Wavelength accuracy	$\pm 5$ nm (Option: customized accuracy)
Output power (nominal)	50, 200 mW (not for all options)
Power adjustment	10-100% max.
Spectral linewidth	< 1 nm
Beam quality, $M^2$	< 1.1
Output polarization	Random (Option: linearly polarized)
Output fiber	SMF-28 single mode fiber, 3 mm jacket, 1 m length, no connector (For linearly polarized output: Panda PM 1550 fiber)

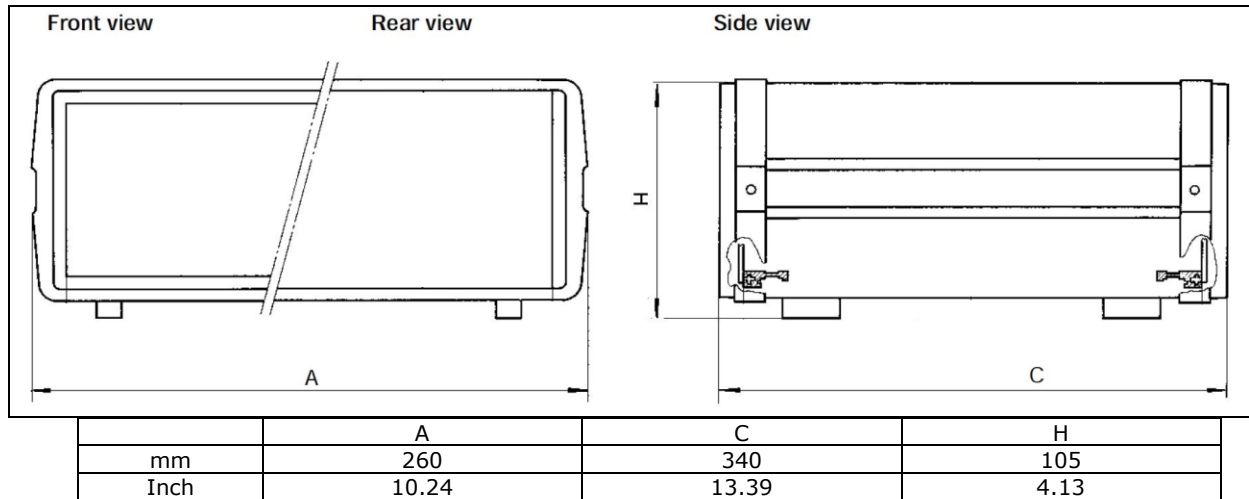
(Customization options available.)

*Specifications subject to change without notice*

## General Characteristics:

Parameter	Specification
Operating temperature	10 to +35 °C
Storage temperature	-10 to +70 °C
Cooling	Forced air
Power requirement	AC 100~240 V (50/60Hz)
Warm-up time	20 minutes
Package dimensions	Standard: 105(H) x 260(W) x 340(D) mm

## Mechanical Outline:



## Ordering Information:

Part Number:	AP-CW	-	xxxx	-	mxxx	-	xx		
			Standard Wavelength: 1950 = 1950 nm Custom Wavelength: xxxx = xxxx nm		Output Power: m050 = 50 mW m200 = 200 mW		Polarization: RP = random polarization PM = polarization maintaining		

(For special request, please contact AdValue Photonics at 1-520-790-5468 or [sales@advaluephotonics.com](mailto:sales@advaluephotonics.com).)



Specifications subject to change without notice